

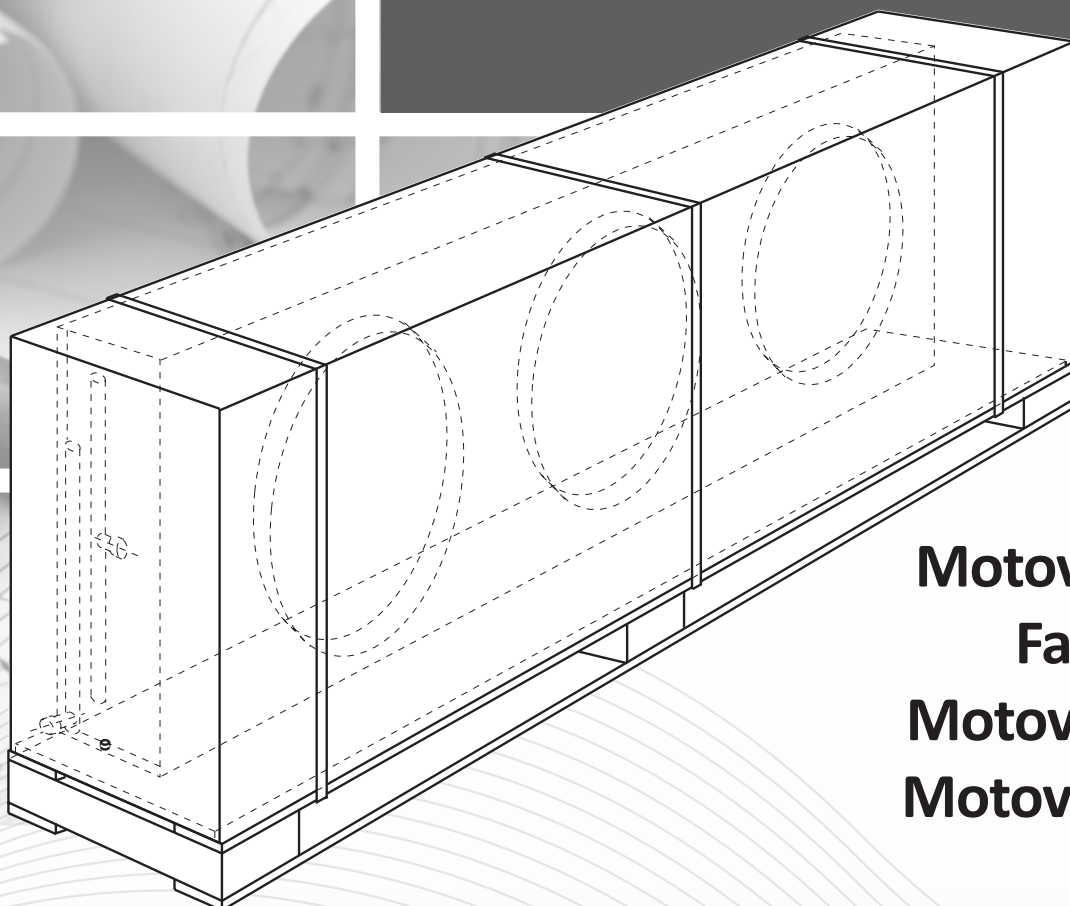


Condensers

# WA Fan assembly

Notice originale  
Original notice  
Originale Hinweise  
Original aviso

N° IN8A00292-A  
01.2011



**Motoventilateurs**  
**Fan assembly**  
**Motoventilatoren**  
**Motoventiladores**

**NOTICE TECHNIQUE D'INSTALLATION**  
**INSTALLATION INSTRUCTIONS**  
**INSTALLATIONSNOTIZ**  
**MANUAL TECNICO DE INSTALACION**



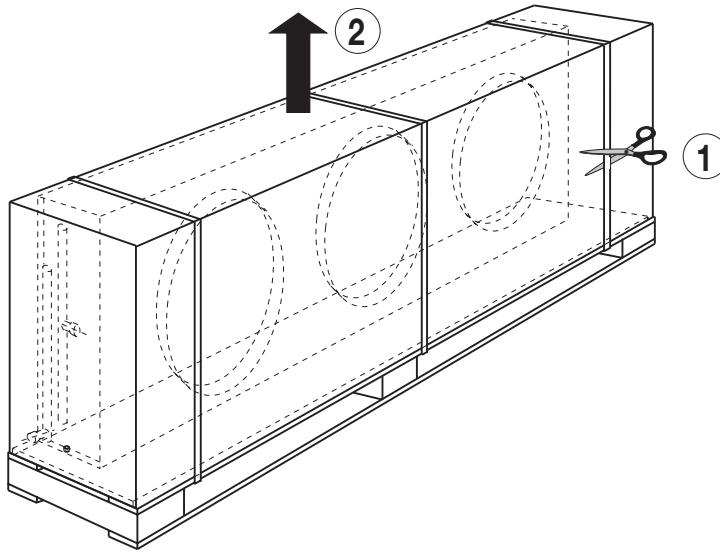
FRIGA-BOHN



**HK** REFRIGERATION

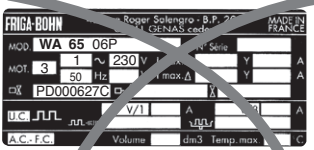
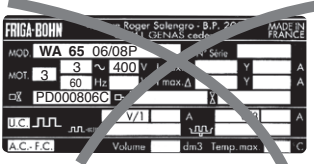
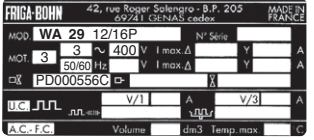
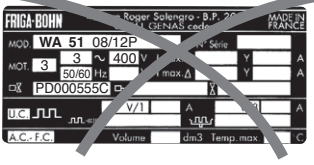
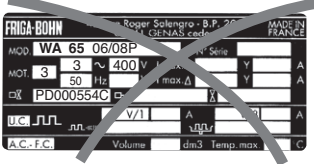
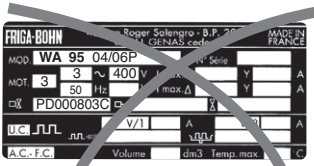


1. → ① → ②



**2. MONTAGE PLAQUE SIGNALÉTIQUE  
NAME PLATE MOUNTING  
MONTAGE DES LEISTUNGSSCHILDES  
MONTAJE CHAPA DE CARACTERISTICAS**

→ ① → ② → ③

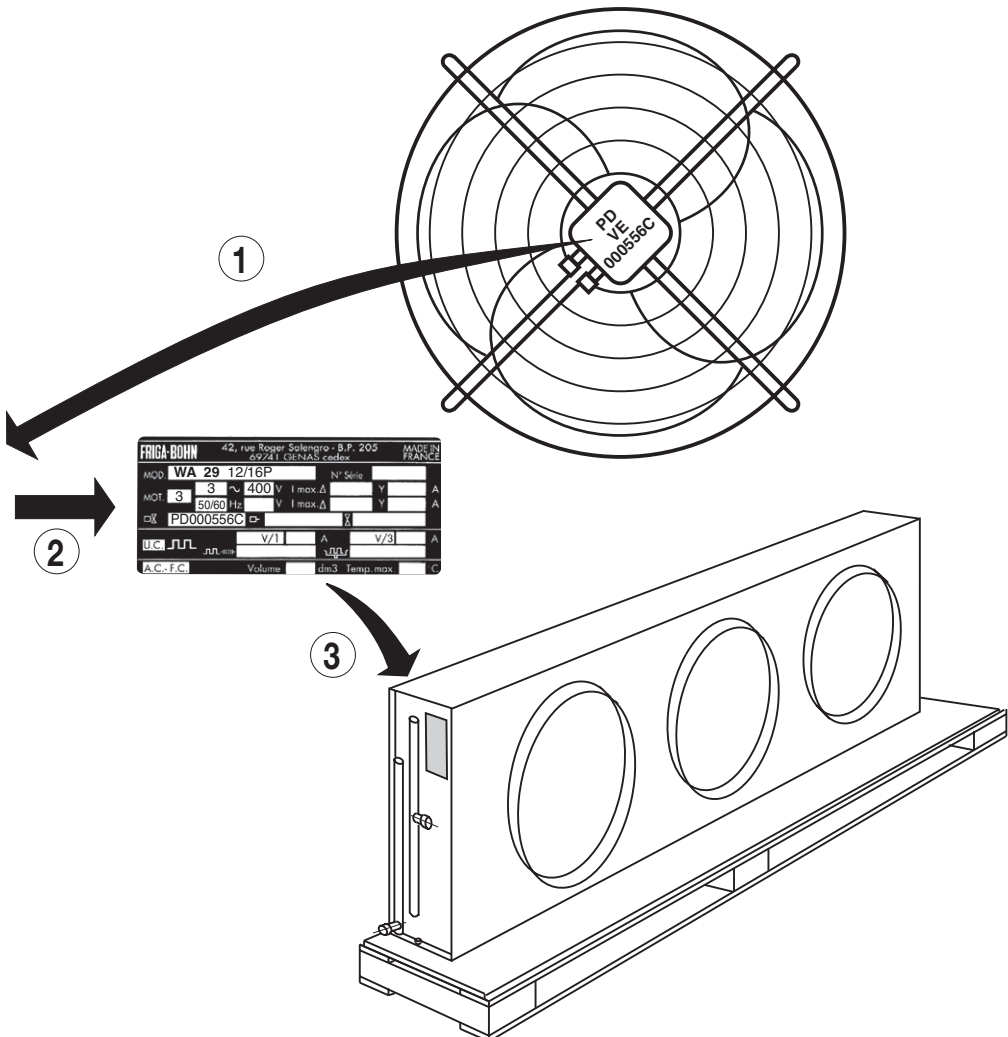


EXEMPLE - EXAMPE - BEISPIEL - EJEMPLO

WA 29 12P-16P / 400 V / 3 / 50-60 HZ

PD 000556C

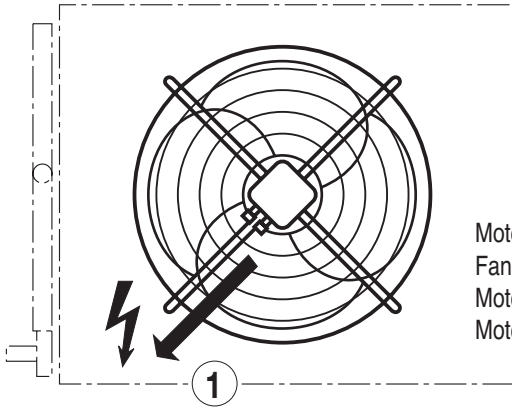
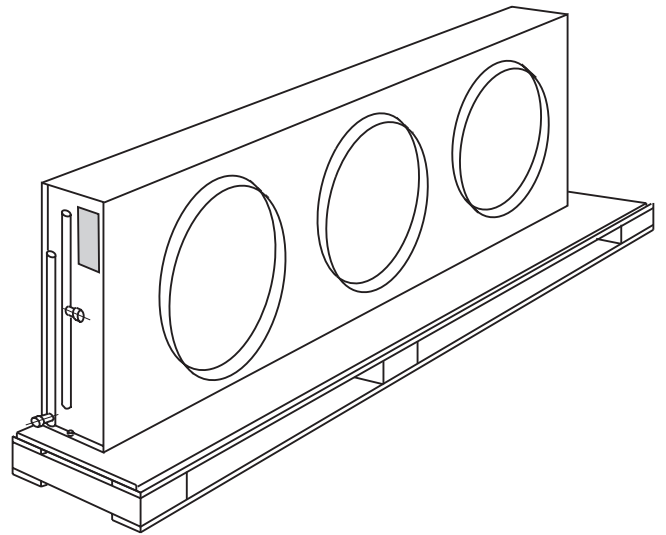
VE 000556C



### 3. MONTAGE MOTOVENTILATEURS FAN ASSEMBLY MOUNTING MONTAGE DER MOTOVENTILATOREN

→ ① → ② → ③

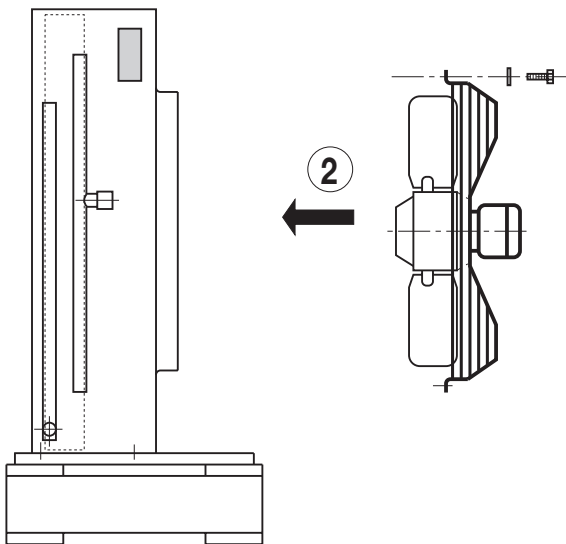
EXEMPLE - EXAMPLE - BEISPIEL - EJEMPLO  
WA 29 12P-16P / 400 V / 3 / 50-60 HZ



Motoventilateur  
Fan assembly  
Motorventilator  
Motoventilador

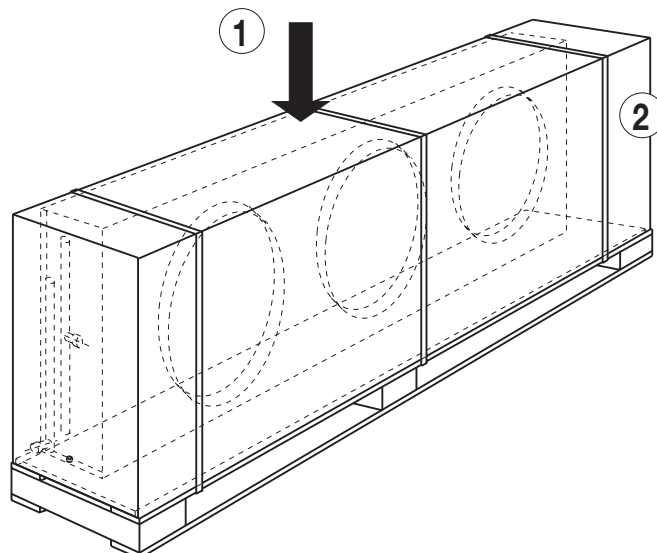
12P-16P / 400 V / 3 / 50-60 HZ

PD 000556C VE 000556C



③ S'assurer que l'hélice tourne librement.  
Make shure that the fan blade is turning freely.  
Überprüfen, ob Ventilator frei dreht.  
Cerciorarse de que la hélice gira libremente

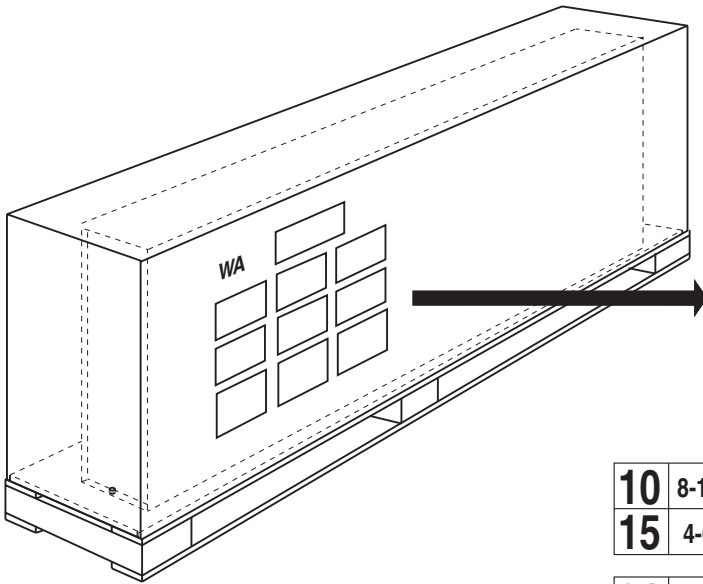
4. → ① → ②



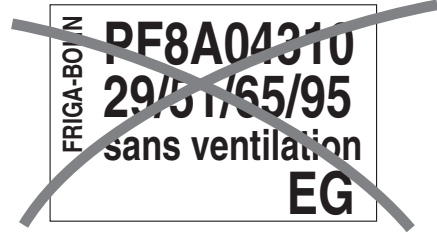
## 5. MARQUAGE - IDENTIFICATION - KENNZEICHNUNG - MARCADO

EXEMPLE - EXAMPLE - BEISPIEL - EJEMPLO

WA 29 12P-16P / 400 V / 3 / 50-60 HZ



**WA**



Ø 500 mm

|           |       |  |
|-----------|-------|--|
| <b>10</b> | 8-12P |  |
| <b>15</b> | 4-6P  |  |

|           |       |  |
|-----------|-------|--|
| <b>13</b> | 8-12P |  |
| <b>19</b> | 4-6P  |  |

|           |       |  |
|-----------|-------|--|
| <b>14</b> | 8-12P |  |
| <b>22</b> | 4-6P  |  |

|           |       |  |
|-----------|-------|--|
| <b>21</b> | 8-12P |  |
| <b>30</b> | 4-6P  |  |

|           |       |  |
|-----------|-------|--|
| <b>26</b> | 8-12P |  |
| <b>39</b> | 4-6P  |  |

|           |       |  |
|-----------|-------|--|
| <b>27</b> | 8-12P |  |
| <b>44</b> | 4-6P  |  |

|           |       |  |
|-----------|-------|--|
| <b>32</b> | 8-12P |  |
| <b>48</b> | 4-6P  |  |

|           |       |  |
|-----------|-------|--|
| <b>37</b> | 8-12P |  |
| <b>58</b> | 4-6P  |  |

|           |       |  |
|-----------|-------|--|
| <b>40</b> | 8-12P |  |
| <b>67</b> | 4-6P  |  |

Ø 630 mm

|           |        |  |
|-----------|--------|--|
| <b>23</b> | 12-16P |  |
| <b>34</b> | 8-12P  |  |
| <b>41</b> | 6-8P   |  |
| <b>54</b> | 4-6P   |  |

|           |        |  |
|-----------|--------|--|
| <b>24</b> | 12-16P |  |
| <b>36</b> | 8-12P  |  |
| <b>42</b> | 6-8P   |  |
| <b>59</b> | 4-6P   |  |

|           |        |  |
|-----------|--------|--|
| <b>28</b> | 12-16P |  |
| <b>47</b> | 8-12P  |  |
| <b>57</b> | 6-8P   |  |
| <b>81</b> | 4-6P   |  |

|           |        |          |
|-----------|--------|----------|
| <b>29</b> | 12-16P | <b>X</b> |
| <b>51</b> | 8-12P  |          |
| <b>65</b> | 6-8P   |          |
| <b>95</b> | 4-6P   |          |

## 6.

